



HMSP110

Haltmaster Surface Protection

HMSP110 Haltmaster Surface Protection – Impact Absorbing Polyurethane foam core with a hard plastic outer, recommended for installation on Surface of Underground Carparks for Transport Sectors.



SPECIFICATIONS

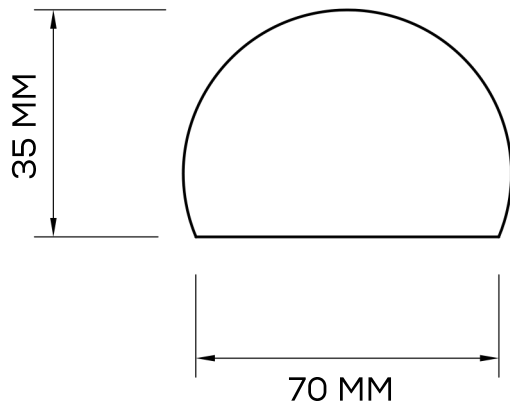
Masterspec Code	Interior: 8262HM
Warranties	Installation warranty: 1 year Product warranty: 10 years
Temperature Rating	Range from –40 degrees C to 100 degrees C
Code Compliance	NZ Transport Agency Traffic Control Devices Manual (TCD Manual) - Performance requirements for barrier systems, including corner protection systems, and provides guidance on the selection and installation of such systems. AS/NZS 2890:1:2004 - Clause 2.5.8 - "Protection of buildings and other structures."

Material	Polyurethane Foam Core
Finish	Sealed Finish
Dimensions	Height: 35 mm Width: 70 mm Length: 1000 mm
Features	A hard impacts preventing injury and damage, provides high visibility to danger zones, is moisture resistant making them suitable for interior and exterior applications, are flexible so can be fitted to curved surfaces. Used on steel columns, pallet racking, walls, corners and anywhere.
Installation Methods	Double sided tape and adhesive fixed

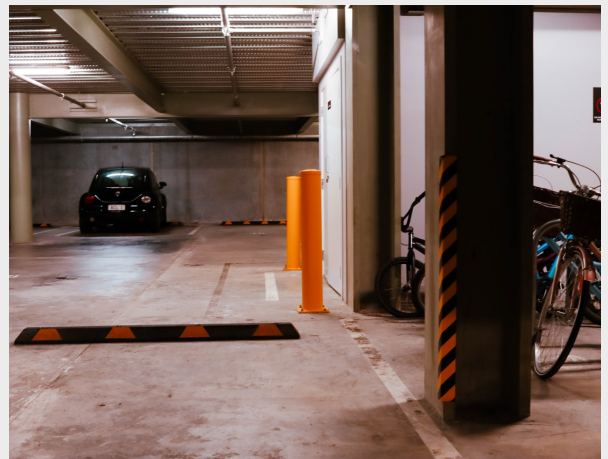
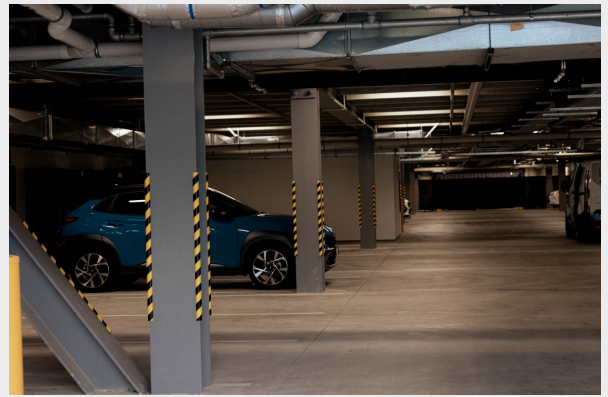




PRODUCT TECHNICAL DRAWING



PREVIOUS PROJECTS



- 8 Cooper Street, Havelock North 4130
PO Box 8740, Havelock North 4130
- Unit 2, 24 Inlet Road, Takanini
Auckland 2112
- 09 320 1338 or Toll Free 0800 687 004

ARCHITECTURAL PRODUCTS



Page 2

