



HMCP300

Haltmaster Corner Protection

HMCP300 Haltmaster Corner Protection – Impact Absorbing Polyurethane foam core with a hard plastic outer, recommended for installation on Corners of Underground Carparks for Transport Sectors.



SPECIFICATIONS

| | |
|---------------------------|--|
| Masterspec Code | Interior: 8262HM |
| Warranties | Installation warranty: 1 year Product warranty: 10 years |
| Temperature Rating | Range from –40 degrees C to 100 degrees C |
| Code Compliance | NZ Transport Agency Traffic Control Devices Manual (TCD Manual) - Performance requirements for barrier systems, including corner protection systems, and provides guidance on the selection and installation of such systems. AS/NZS 2890:1:2004 - Clause 2.5.8 - "Protection of buildings and other structures." |

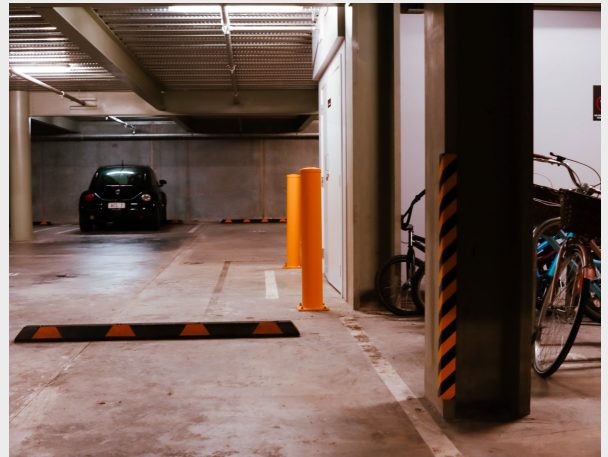
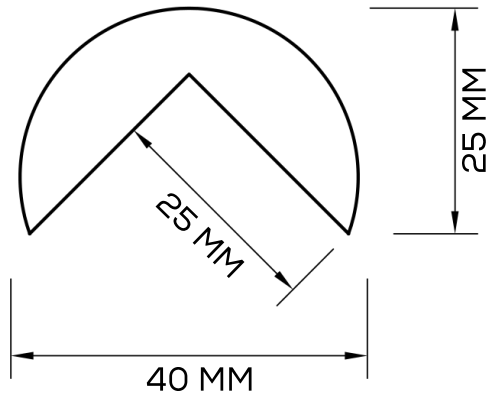
| | |
|-----------------------------|---|
| Material | Polyurethane Foam Core |
| Finish | Sealed Finish |
| Dimensions | Depth: 25 mm Width: 40 mm Inner Width: 25 mm Length: 1000 mm |
| Features | A hard impacts preventing injury and damage, provides high visibility to danger zones, is moisture resistant making them suitable for interior and exterior applications, are flexible so can be fitted to curved surfaces. Used on steel columns, pallet racking, walls, corners and anywhere. |
| Installation Methods | Double sided tape and adhesive fixed |





PRODUCT TECHNICAL DRAWING

PREVIOUS PROJECTS



- 8 Cooper Street, Havelock North 4130
PO Box 8740, Havelock North 4130
- Unit 2, 24 Inlet Road, Takanini
Auckland 2112
- 09 320 1338 or Toll Free 0800 687 004

ARCHITECTURAL PRODUCTS

